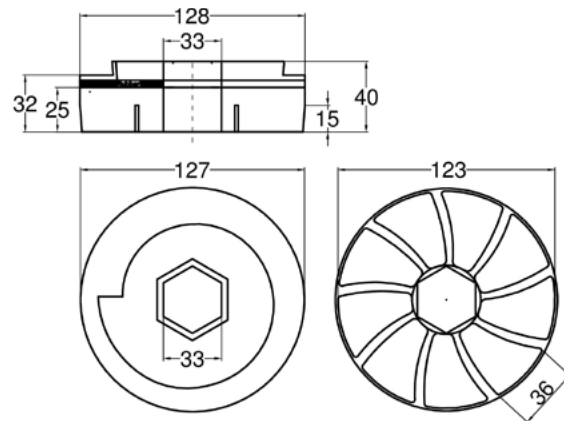



# 130 x 25 SH EOLE FLEX

CODE 19Q

1P = 0,38 Kg | 1 P = 0,40 Kg



## > Tabla de equivalencias

|   |     |    |    |    |    |    |     |     |     |     |     |     |     |     |     |     |     |     |      |      |      |      |
|---|-----|----|----|----|----|----|-----|-----|-----|-----|-----|-----|-----|-----|-----|-----|-----|-----|------|------|------|------|
|  | 000 | 00 | 0  | 45 | 1  | A  | C   | 2   | F   | K   | 3   | H   | N   | 4   | 5   | 6   | 7   | 8   | 10   | 12   | 15   | 18   |
| FEPA  | 16  | 24 | 30 | 46 | 60 | 80 | 100 | 120 | 150 | 180 | 220 | 240 | 280 | 400 | 500 | 600 | 700 | 800 | 1000 | 1200 | 1500 | 1800 |

## > Escala de dureza de ligantes



## > Ligantes

| DISPONIBLES/<br>AVAILABLE   | LIGANTES/<br>BOND MATERIAL  | GRANOS/<br>GRITS         | APLICACIONES/<br>APPLICATIONS   | MATERIALES/<br>MATERIALS  |
|---|---|--------------------------|---|---|
|   |  | 16-1800                  | Desbaste/ Grinding<br>Pulido/ Polishing   | Granito/ Granite, Mármol/ Marble, Caliza/ Limestone, Terrazo/ Terrazzo, Gres/ Ceramic, Arenisca/ Sandstone, Aglomerado de cuarzo/ Quartz agglomerate, Piedra artificial/ Artificial stone, Pizarra/ Slate |
|   |  | 400-1800                 | Pulido/ Polishing   | Mármol/ Marble, Terrazo/ Terrazzo, Piedra artificial/ Artificial stone  |
|   |  | Sin grano/ Without grit  | Abrillantado/ Shine   | Mármol/ Marble, Caliza/ Limestone, Terrazo/ Terrazzo  |
|   |  | Sin grano/ Without grit  | Abrillantado/ Shine   | Granito/ Granite, Gres/ Ceramic, Piedra artificial/ Artificial stone  |
|   |  | Sin grano/ Without grit  | Abrillantado/ Shine   | Granito/ Granite  |
|   |  | 30-800                   | Desbaste/ Grinding<br>Pulido/ Polishing   | Granito/ Granite, Mármol/ Marble, Caliza/ Limestone, Terrazo/ Terrazzo, Gres/ Ceramic, Arenisca/ Sandstone, Aglomerado de cuarzo/ Quartz agglomerate, Piedra artificial/ Artificial stone, Pizarra/ Slate |
|   |  | 36-500                   | Efecto de envejecido/<br>Antiquing effect   | Granito/ Granite, Mármol/ Marble, Caliza/ Limestone, Terrazo/ Terrazzo, Gres/ Ceramic, Arenisca/ Sandstone, Aglomerado de cuarzo/ Quartz agglomerate, Piedra artificial/ Artificial stone, Pizarra/ Slate |
|   |  | Sin grano/ Without grit  | Limpieza de rayas y sombras en apomazado/<br>Cleaning of scratches and shadows<br>after smoothening | Mármol/ Marble, Caliza/ Limestone, Arenisca/ Sandstone, Aglomerado de cuarzo/ Quartz agglomerate, Pizarra/ Slate  |
|   |  | Sin grano/ Without grit  | Eliminación de restos de agente abrillantador/<br>Elimination of rests of the shining product       | Mármol/ Marble, Caliza/ Limestone   |
|  |  | 24-1800                  | Desbaste / Grinding<br>Pulido / Polishing   | Granito / Granite, Mármol / Marble, Caliza / Limestone, Arenisca / Sandstone, Aglomerado de cuarzo / Quarz agglomerate  |
|   |  | 24-180                   | Desbaste / Grinding   | Granito / Granite, Mármol / Marble  |
|   |  | Sin grano / Without grit | Pulido / Polishing  | Granito / Granite, Mármol / Marble  |
|   |  | 16-1800                  | Desbaste / Grinding<br>Pulido / Polishing   | Granito / Granite, Mármol / Marble, Caliza / Limestone, Arenisca / Sandstone, Aglomerado de cuarzo / Quarz agglomerate  |
|   |  | 24-1500                  | Desbaste / Grinding<br>Pulido / Polishing   | Granito / Granite, Mármol / Marble, Aglomerado de cuarzo / Quarz agglomerate  |